

## PT8600

### Cable-Extension Motion Conversion Module

#### Features

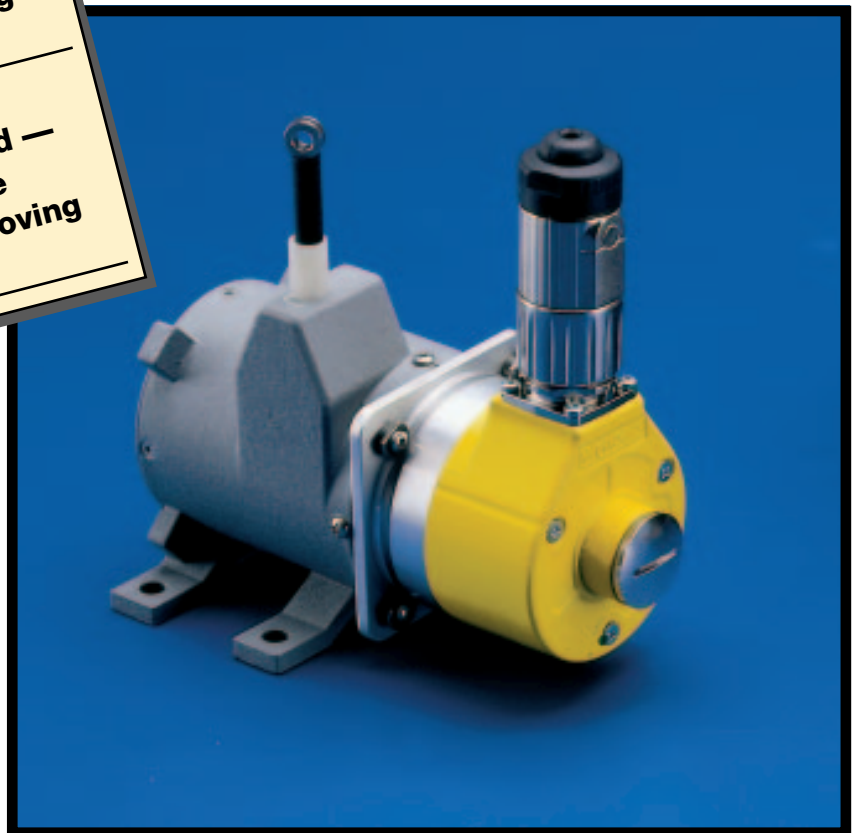
Measuring lengths from 0 to 50 inches

Rugged industrial enclosures protects unit from harsh environments including mud, dirt and water

Unique wiring outlet nozzle protects internal components from outside contaminants

Modular design allows any Stegmann catalog standard incremental or absolute encoder to be used providing hundreds of output options

Easy to install since no mounting guide is required — just bolt down and secure eyelet of wire cable to moving assembly



# PT8600

# STEGMANN

## General Data

---

Our unique linear-to-rotational, industrial-grade motion conversion module mates to virtually any Stegmann encoder, giving you a cost-effective linear position measurement solution that precisely fits your requirements. The

PT8600 takes just minutes to install, fits easily into tight areas, does not require perfectly parallel alignment, and provides reliable and precise position measurements without needing periodic adjustments.

For any high resolution or absolute encoder requirement, the PT8600 delivers the ultimate in flexibility. We deliver a complete solution with the PT8600 pre-mated and calibrated to the encoder.

## Technical Data/Features

---

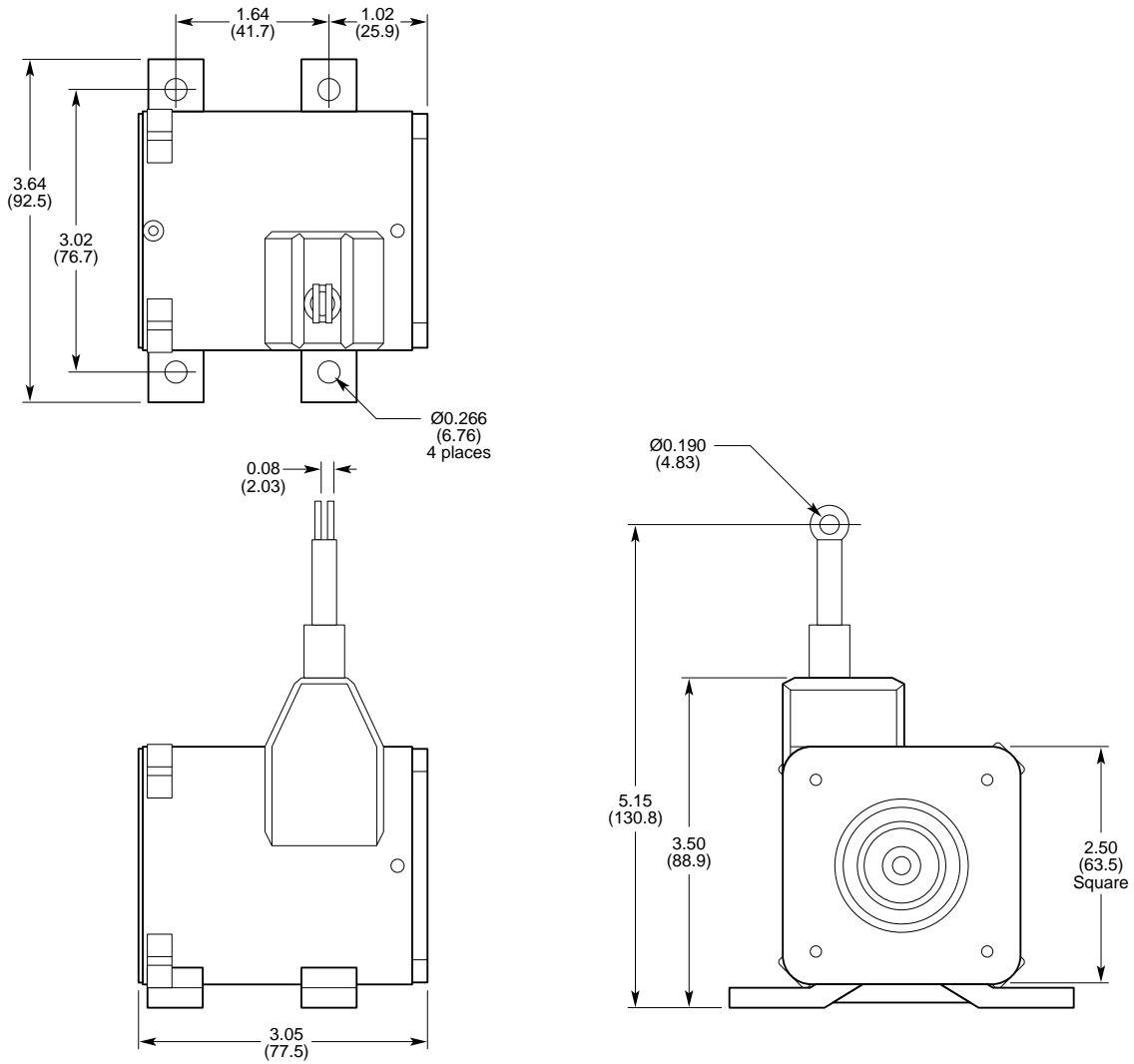
Full Stroke Range	0-25, 0-50 in., 0-625, 0-1250 mm
Motion Conversion Ratio	English: 5 inches per turn Metric: 125 mm per turn
Accuracy	the lesser of 0.02% full stroke or 0.04% of measurement range
Measuring Cable	stainless steel or thermoplastic rope
Module Material	aluminum and stainless steel available,
Maximum Allowable Rotational Sensor Torque	1.0 in-lbs.
Weight, Aluminum Enclosure	3 lbs., max.
Weight, Stainless Steel Enclosure	6 lbs., max.

---

# PT8600

# STEGMANN

## Dimensions (inches/mm)



# PT8600



## Full Stroke Range

<b>1</b> order code:	<b>0025</b>	<b>0050</b>	<b>0625</b>	<b>1250</b>
full stroke range, min:	25 in.	50 in.	625 mm	1250 mm
accuracy (% of f.s.):	0.04 %	0.04%	0.04%	0.04%
maximum cable acceleration:	5 G's	5 G's	5 G's	5 G's
std. cable tension (±20%):	15 oz.	15 oz.	15 oz.	15 oz.

## Enclosure Material & Measuring Cable Tension

<b>2</b> order code:	<b>1</b>	<b>2</b>	<b>3</b>	<b>4</b>
enclosure material:	powder-painted aluminum		303 stainless steel	
cable tension* multiplier:	1x	3x	1x	3x

\*note: refer to "standard cable tension" in Full Stroke Range Table (above)

## Motion Conversion Ratio & Measuring Cable

<b>3</b> order code:	<b>1*</b>	<b>2**</b>	<b>3***</b>
conversion ratio, <b>english</b> ranges:	1 turn = 5.000 (±0.0094) in.	1 turn = 5.034 (±0.0094) in.	1 turn = 5.088 (±0.0094) in.
conversion ratio, <b>metric</b> ranges:	1 turn = 125.001 (±0.2394) mm	1 turn = 125.879 (±0.2394) mm	1 turn = 127.075 (±0.2394) mm
measuring cable:	0.034 nylon-coated stainless steel	0.047 stainless steel	0.062 thermoplastic

notes: \*available in all ranges, \*\*25-inch and 625-mm ranges only, \*\*\*25-inch and 625-mm ranges only

## Cable Guide Options

<b>4</b> order code:	<b>none</b>	<b>SS</b>	<b>BL*</b>	<b>BR</b>
	standard nylon cable guide	stainless steel cable guide	polyurethane cable bellows	integral cable brush

note: \*will limit measurement range to 25 inches (635 mm) maximum

## Encoder Options

---

### 5 order code

---

#### Incremental Encoders:

HD20-F	HD20, 2.5" square flange, 3/8" shaft
HD25-F	HD25, 2.5" square flange, 3/8" shaft
DG60L-W	DG60L, face mount flange, 10mm shaft
DG60LES-W	DG60LES, face mount flange, 10mm shaft

#### Absolute Encoders:

AG626-SSI	AG626, SSI compatible, face mount flange, 10mm shaft
AG626-DN	AG626, DeviceNet compatible, face mount flange, 10mm shaft
AG626-DP	AG626, Profibus, face mount flange, 10mm shaft
AG626-IBS	AG626, Interbus, face mount flange, 10mm shaft

#### Notes:

- 1.) Please refer to the individual datasheet for the above models to build a complete model number using the above mandatory features.
- 2.) Please contact Stegmann to specify other models.

## How To Order

---

Use the numbered references throughout this datasheet to construct your ordering code as shown below.

PT8600 - 0200 - 1 1 1 - AG626-SSI

1      2   3   4      5



#### Example for ordering

The above sample shows a model with the following attributes:

- Full stroke range: 200 inches
- Enclosure material: powder-painted aluminum
- Measuring Cable: 0.034-in. dia. nylon-coated stainless steel cable
- Encoder: AG626-SSI, multiturn absolute